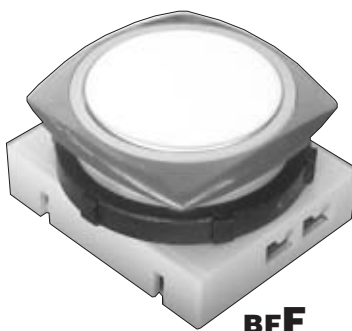




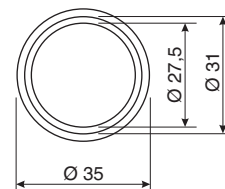
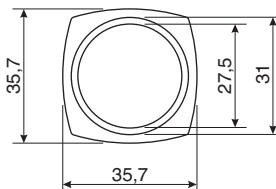
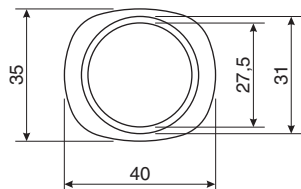
BFB



BFF

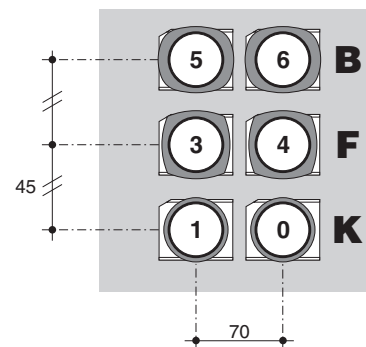
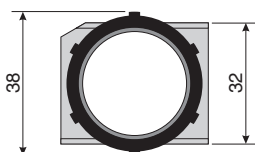
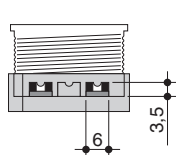
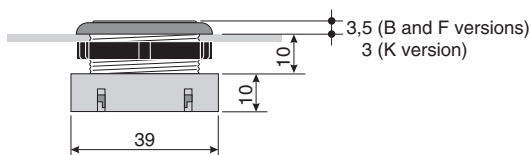


BFK



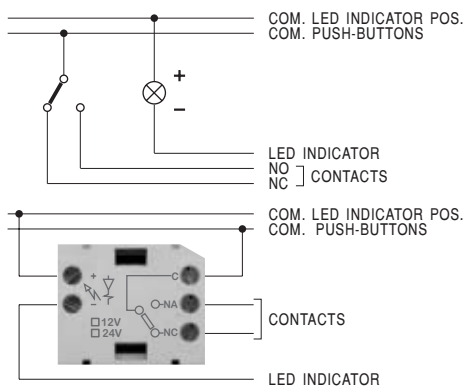
TECHNICAL FEATURES	PUSH-BUTTON SERIES BF
Structure	in polycarbonate
Mounting	3 mm projecting over faceplate surface (K version) 3,5 mm projecting over faceplate surface (B, F versions)
Fixing	frontal mounting fixed by screw-cut ring fixing thickness MIN 0,8 mm · MAX 5 mm
Push-button stroke	1,8 mm
Wiring	wires screwed on terminals or, on request, connectors; suggested wire sections: 0,5 ÷ 1,5 mm ²
Illumination	4 red LED
Life	2.500.000 operations

Protection degree **IP 51**: protected against dust and vertical water fall.

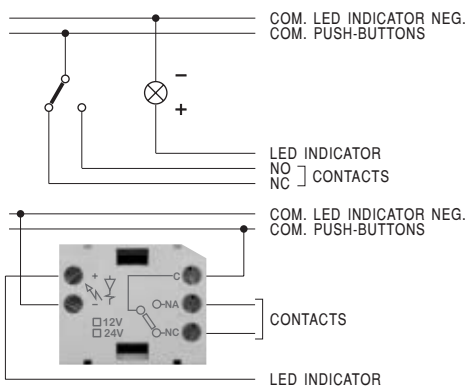


Connections

LED POSITIVE COMMON



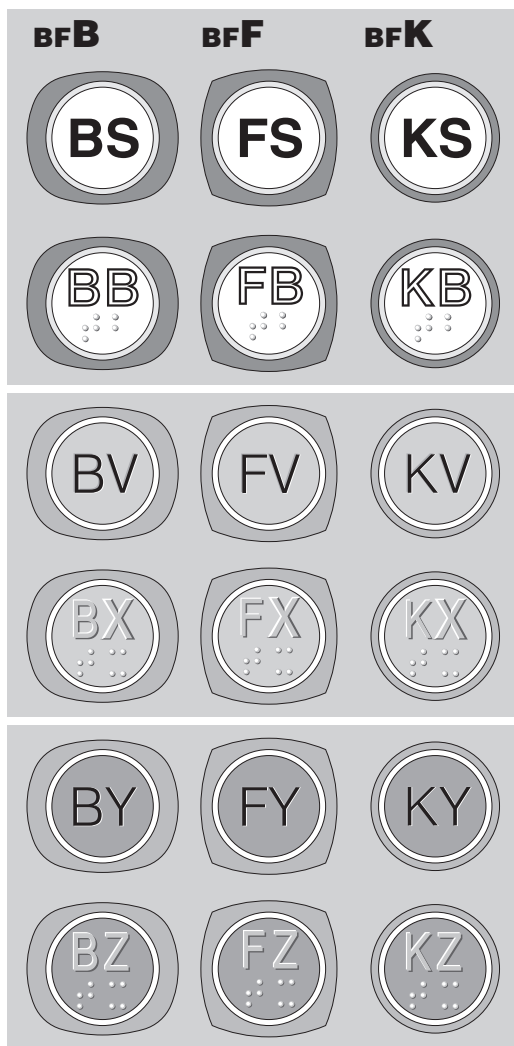
LED NEGATIVE COMMON



Mounting projecting over plate surface. Fixing without screws or weldstuds. Structure and halo in polycarbonate. Contact holder clip fixed on button body. The shape of the push-button can be changed by simply replacing the halo.

HALO COLOURS
non transparent

- claret
- Chagall blue
- grey
- chromium
- golden (only F shape)



◀ **Standard flush legend**

Push-button in polycarbonate. Standard flush legend: hot press numbers, protected by transparent polycarbonate cap. Braille: as standard version, plus Braille and also raised numbers.

◀ **Standard tactile/Braille**

◀ **Vandal-resistant flush legend**

Push-button in polycarbonate coated with 0,4 mm polished st/steel. Standard flush legend: pantograph engraved numbers and stove enamelled. Braille: raised numbers and Braille.

◀ **Vandal-resistant tactile/Braille**

◀ **PVD Vandal-resistant flush legend**

Push-button in polycarbonate coated with 0,4 mm "brass" type PVD treated steel (titanium nitride). Standard flush legend: pantograph engraved numbers and stove enamelled. Braille: raised numbers and Braille.

◀ **PVD Vandal-resistant tactile/Braille**

Codes

BF = push-button frontal mounted

B = shape type B
F = shape type F
K = shape type K

S = flush legend
B = tactile/Braille
V = vandal-resistant flush legend
X = vandal-resistant tactile/Braille
Y = PVD vandal-resistant flush legend
Z = PVD vandal-resistant tactile/Braille

600 = 1 contact (AC/DC), non illuminated
6B2 = 1 contact (AC/DC), illuminated 12V
6B4 = 1 contact (AC/DC), illuminated 24V
6100 = 2 contacts (AC/DC), non illuminated
6200 = 2 contacts (AC/DC), non illuminated

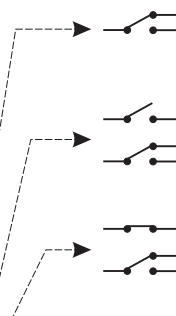
M = microswitch

D = engraved push-button

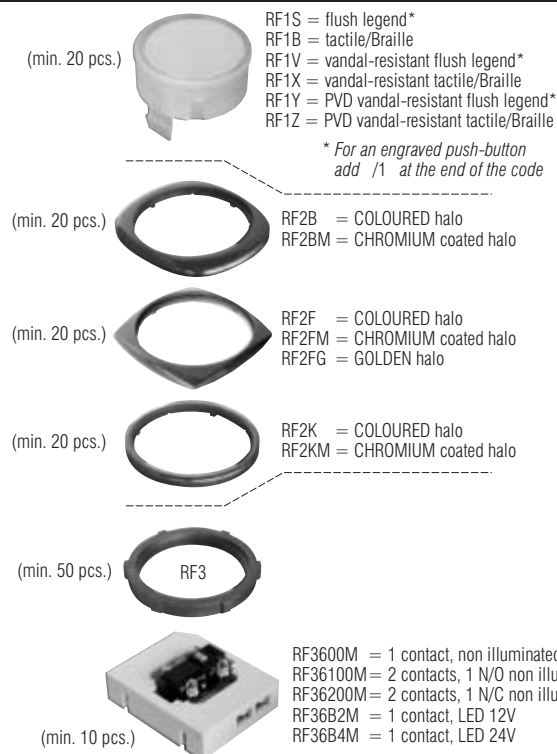
.C = chromium coated halo
.G = golden halo (only F shape)

CODE
(min. 10 pcs.)

Insert a code in each box to obtain the CODE for the required product

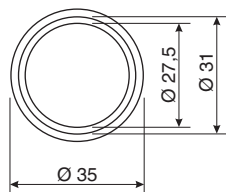


Spare parts



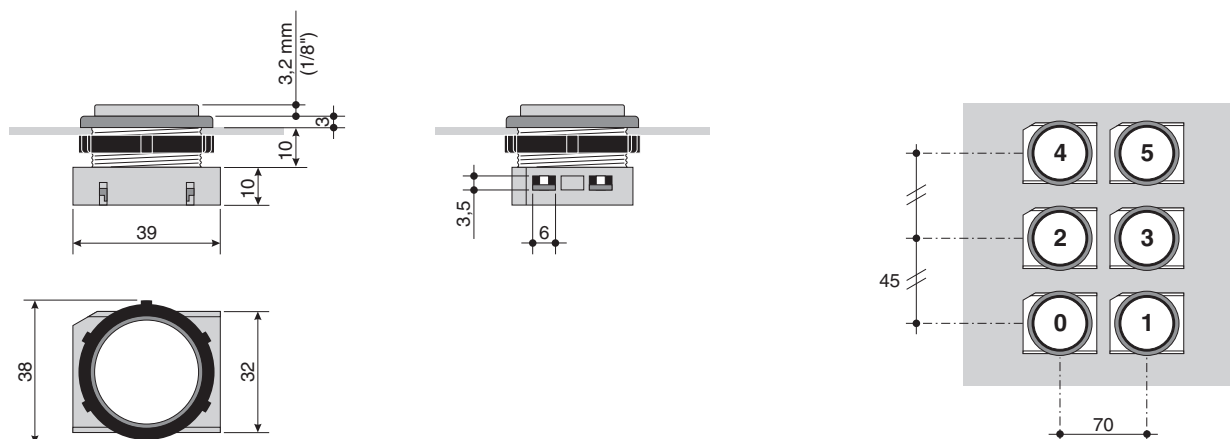
PUSH BUTTONS
Series BF - CALIFORNIA compliant

MF 21mm



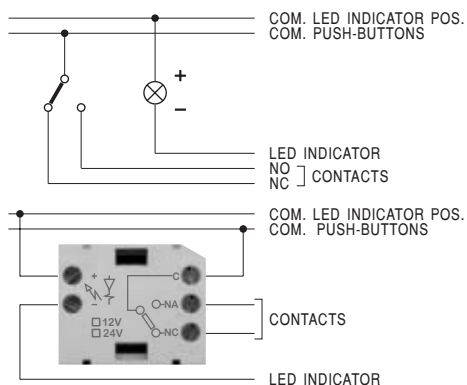
TECHNICAL FEATURES	PUSH-BUTTON SERIES BF - CALIFORNIA compliant
Structure	in polycarbonate
Mounting	active part projecting 3,2 mm (1/8") over push-button surface
Fixing	frontal mounting fixed by screw-cut ring fixing thickness MIN 0,8 mm · MAX 5 mm
Push-button stroke	1,8 mm
Wiring	wires screwed on terminals or, on request, connectors; suggested wire sections: 0,5 ÷ 1,5 mm ²
Illumination	4 red LED
Life	2.500.000 operations

Protection degree **IP 51**: *protected against dust and vertical water fall.*

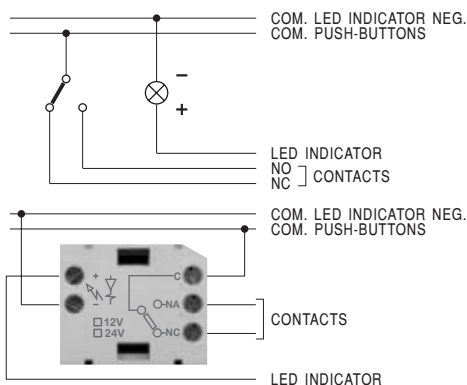


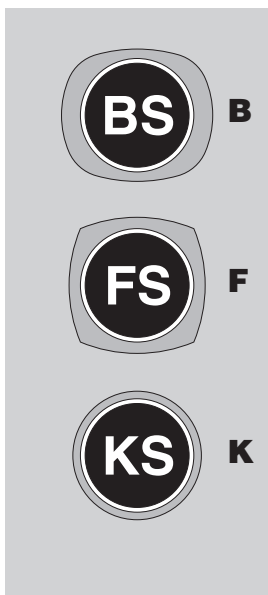
Connections

LED POSITIVE COMMON

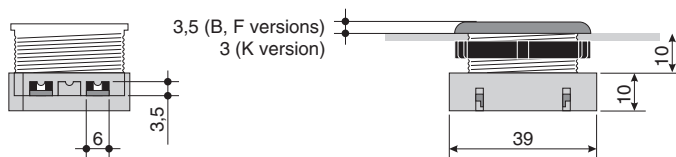


LED NEGATIVE COMMON



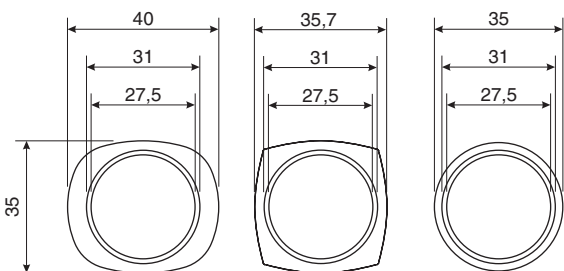
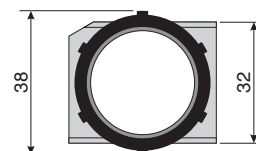


Frontal mounting on plates 0,8 ÷ 5 mm thick • Fixing without screws or welded studs, by screw-cut ring • Indicator in polycarbonate coated with hot print film, protected by transparent polycarbonate cap • Contact holder clip fixed on indicator body • Halo in polycarbonate; the shape of the indicator can be changed by simply replacing the halo • Illumination: yellow (1 LED), red (4 LED), green (6 LED) • Wired on screw-terminals, suggested wire sections: 0,5 ÷ 1,5 mm² • Protection degree IP 51 (protected against dust and vertical water fall)

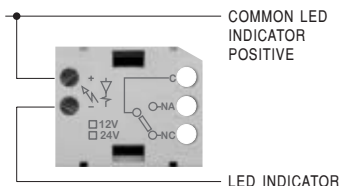


HALO COLOURS non transparent

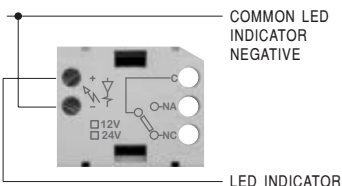
- claret
- Chagall blue
- grey
- chromium
- golden (only F shape)



LED POSITIVE COMMON



LED NEGATIVE COMMON



Codes

BF = indicator frontal mounted

B = shape type B
F = shape type F
K = shape type K

SO = standard

L2 = 12V (AC/DC)
L4 = 24V (AC/DC)

1 = illuminated YELLOW (1 LED)
4 = illuminated RED (4 LED)
9 = illuminated GREEN (6 LED)

D = engraved indicator

.C = chromium coated halo
.G = golden halo (only F shape)

CODE (min. 10 pcs.)

Insert a code in each box to obtain the CODE for the required product

